

Electronic Damper Actuator

Designed for UL Listed Fire/Smoke and Smoke Control Dampers



20 lb-in Torque
2 position, 15 second run time
15 second Spring Return Time



GJD Series Electronic Damper Actuator

Description

The OpenAir direct coupled, fast-acting, two-position, spring return electronic actuators are available as 24 Vac/ dc, 120 Vac, and 230 Vac models. They are intended for use on UL-listed smoke control and combination fire/ smoke rated dampers.

Features

- Electronic Fusible Link (EFL) capability with three temperature ratings: 165° F (74° C), 252° F (100° C), and 250° F (121° C)
- Reversible fail-safe spring return
- Plenum rated plastic housing
- Pre-cabled lead wires
- 30-second drive/15 second return operation at rated torque, temperature and voltage
- 5 Year warranty
- Made in the USA
- Compact design for tight-fitting spaces

Options

- Optional built-in Auxiliary Switches: fixed switch points at 5° and 85° rotation

Applications

The GJD Series Spring Return Fire and Smoke Damper Actuator is used for the control of dampers requiring up to 20 lb-in driving torque. It is intended for control of UL listed smoke control dampers or combination fire/ smoke HVAC dampers. This actuator is designed to meet the 2002 revisions to the UL555/555S and the AMCA Standard 520 applications.

B-49

Damper Actuators

Specifications

Operating Voltage	24Vac ±20%
	24 Vdc +20%, -10%
	120 Vac ±10%
	230 Vac ±10%
Frequency	50/60 Hz
Power Consumption	24Vac/dc / 120Vac
Running	~ 10 VA/ 5W
Holding	~ 5 VA/ 3W
Power Consumption	230 Vac
Running	~ 12 VA/ 5W
Holding	~ 7 VA/ 3W
Torque	
Running20 lb-in (2 Nm) (minimum)
Minimum Stall35 lb-in (4 Nm)
Runtime for 90°	
Operating with motor at 60hz30 seconds nominal
Closing (on power loss) with spring return15 seconds nominal
Nominal Angle of Rotation	95°
Life Expectancy	Minimum 20,000 full stroke cycles
Damper Shaft Size	0.5-inch (12.7 mm) round
Min. Shaft Length	1.4-inch (36 mm)

Housing	
Enclosure	NEMA 1/ IP40
Material.....	Plenum-Rated Plastic
Temperature	
Operation.....	0°F to 130°F (-18°C to 55° C)
	One time 250°F (121°C) 1/2 hour per UL555S
Storage and Transport.....	- 40°F to 158°F (-40°C to 70°C)
Humidity	Maximum 95% rh non-condensing
Teflon Cable	400°F (200°C)
Agency Certifications	UL60730
	cUL CSA 60730
	CE Conformity for Residential, Commercial and Industrial Environments
	Australian RCM Conformity
Pre-cabled Connection	19/30 strand 18 GA, 3 ft (0.9m)
Dimensions	5.61-in H x 2.83-in W x 2.48-in D
	(142.6 mm H x 72 mm W x 63 mm D)
Shipping Weight	
Single Pack	1.32 lbs (0.60 kg)

Product Ordering

Description	Part No.		
	24Vac	120Vac	230Vac
Standard	GJD121.1U	GJD221.1U	GJD321.1U
Aux Switches 5° and 85°	GJD126.1U	GJD226.1U	GJD326.1U

* All GJD actuators come with built-in capability to have an Electronic Fusible Link directly connected

B-50

Damper Actuators

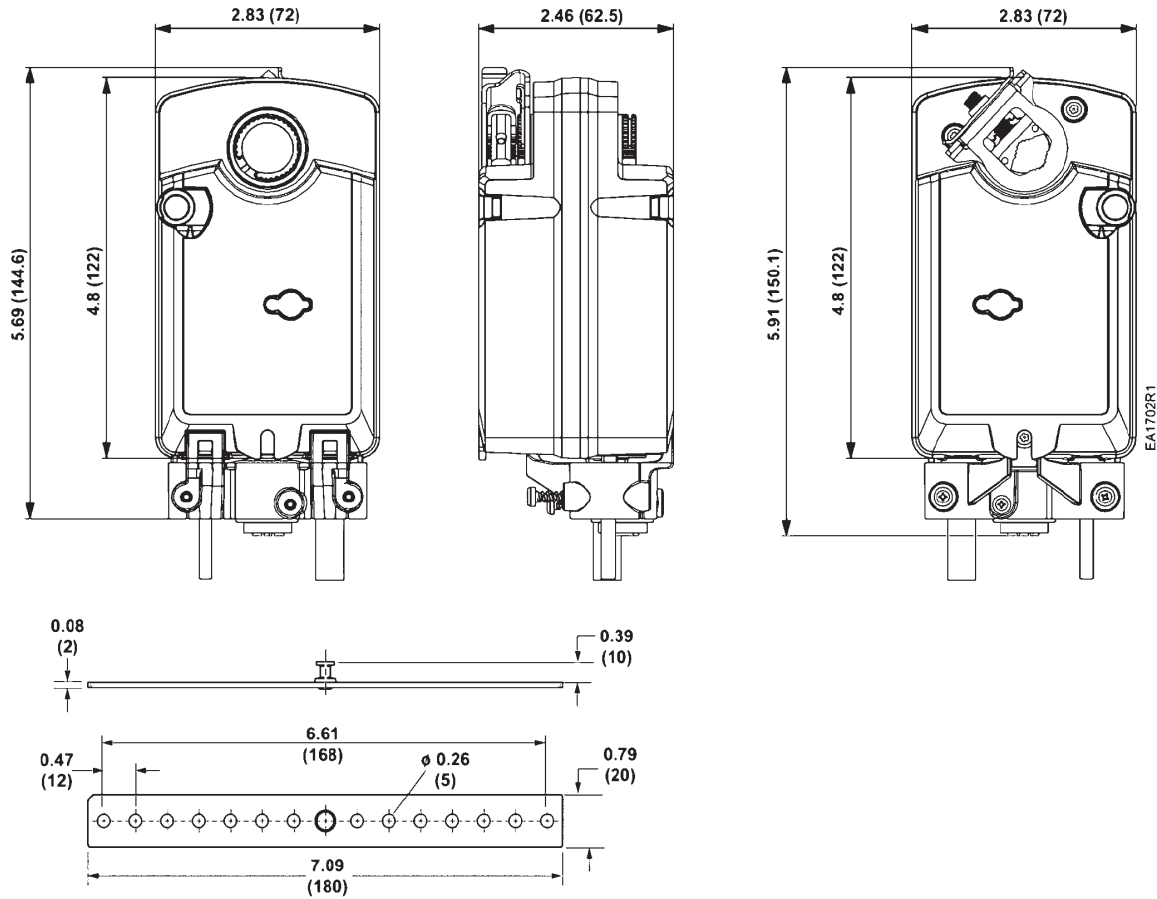
Compatible Electronic Fusible Links

Temperature Range	Part No.
165°F (74°C)	ASK791.165
212°F (100°C)	ASK791.212
250°F (121°C)	ASK791.250

* Determine and order appropriate actuator before selecting an EFL



GJD Series OpenAir Damper Actuators



Dimensions shown in inches (mm).